



# ACCESSORIES

## PRESSURE TANKS





# PRESSURE TANKS:

## Bladder type



### Performance range

The bladder type series of pressure tanks is designed to provide reliable storage for pressurized water in a booster pump system. The pressure tank effectively releases its stored volume of pressurised water on demand and prevents pump start-ups for demands lower than its storage capacity. The internal bladder ensures that there is no contact between the water and the air.

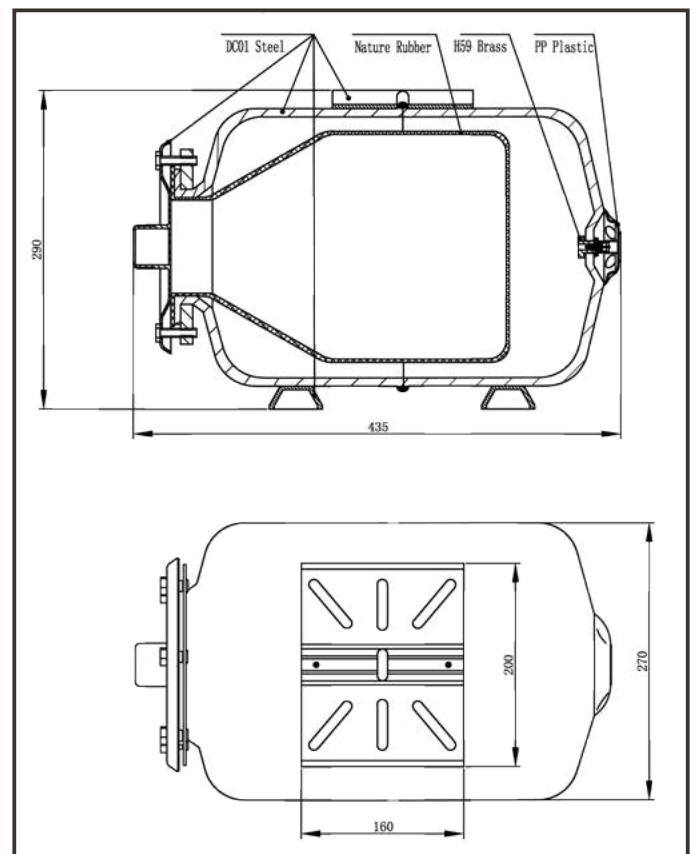
### Liquid Temperature

EPDM	0°C to 99°C
Ambient Temperature	up to 45°C
Max. Working Pressure	8 bar

### Technical features

Material:	Carbon Steel
Bladder:	EPDM
Orientation:	Vertical or horizontal
Connections:	1" – 1 1/4" BSP
Capacity:	24L, 60L and 100L

### H024



# PRESSURE TANKS:



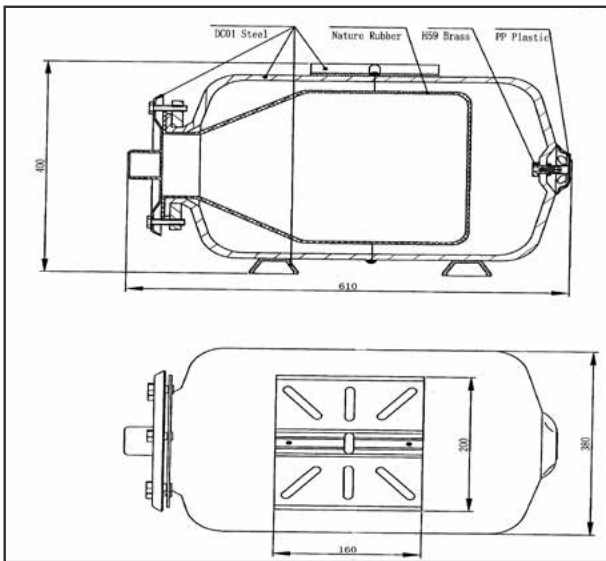
## Bladder type

### Specifications

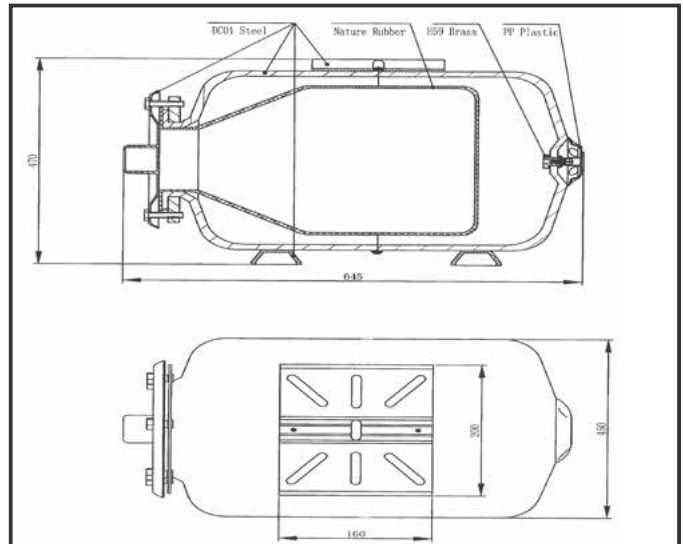
MODEL	ORIENTATION	NOMINAL VOLUME	SIZE
		(LITRE)	(MM)
H024	Horizontal	24	435 x 290 x 270
H060	Horizontal	60	610 x 400 x 380
H100	Horizontal	100	645 x 470 x 450
VT024	Vertical	24	330 x 330 x 330
VT060	Vertical	60	470 x 380 x 760
VT100	Vertical	100	470 x 450 x 770

### Dimensions - Horizontal tanks

H060

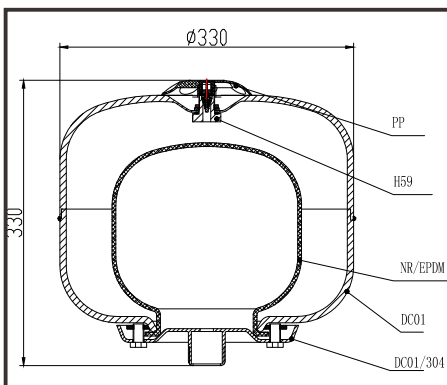


H100

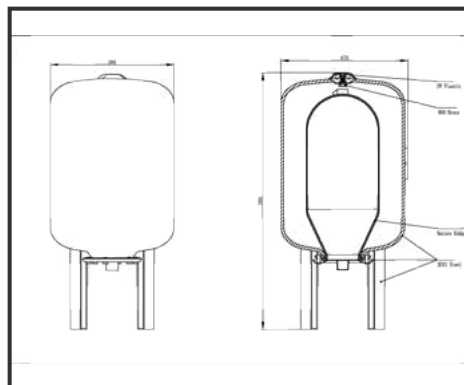


### Dimensions - Vertical tanks

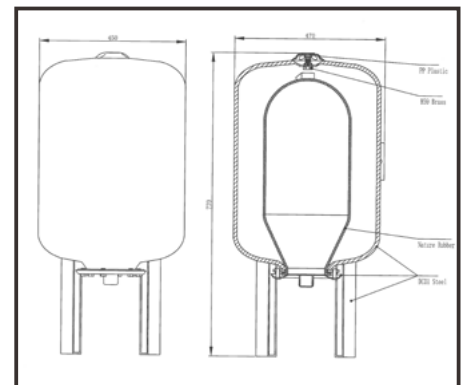
VT024



VT060



VT100



# PRESSURE TANKS:

## Two-in-one



MODEL	SIZE	MEMBRANE	THICKNESS	HEIGHT	DIAMETER	CAPACITY	DIMENSION	N/W
SINGLE-PHASE	INCH		(mm)	(mm)	(mm)	L	(LxWxH) mm	kg
GFCV36T	1"	EPDM	1.2	600	350	36	35x35x62	6.9/5.9
GFCV50T	1"	EPDM	1.2	710	350	50	35x35x71	8.0/7.1