



SOLAR RANGE

LSQB BOOSTER PUMP



PERIPHERAL VANE DC SOLAR PUMP LSQB



Material:

- Pump Casing: Cast Iron
- Motor body: Aluminium
- Impeller: Brass
- Motor: 100% Copper

Product feature:

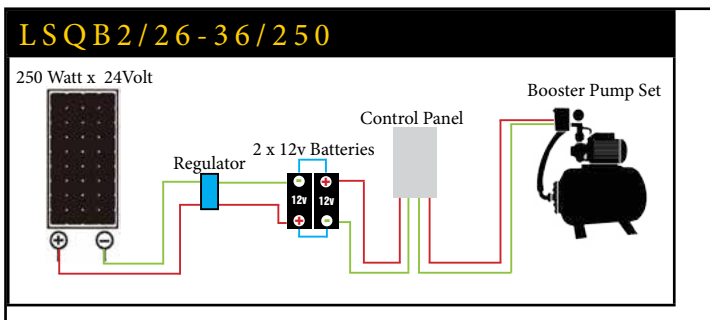
- Clean water DC Booster pump
- Flow: 1-2 m³/h
- DC Brushless Motor

Working Conditions:

- Non-corrosive water
- Max temperature: 40°C
- PH: 6.5 - 8.5

MODEL	IMPELLER	VOLTAGE	PUMP POWER	SOLAR PANEL REQUIREMENT	MAX.FLOW		MAX. HEAD	MAX. SUCT	INLET/ OUTLET	WEIGHT
		(V)	(Watt)	(WATT)	(l/min)	(m ³ /h)	(m)	(m)	(inch)	(kg)
LSQB2/26-24/250	BRASS	36	275W	275W X 36V	33.33	2	26	6	1"	7.2

Connection Diagram



Regulator

- Use of the latest charging technologies combined with state of charge determination to enable optimal battery maintenance and module power monitoring for up to 2880 Watt of connected power.
- A large display informs the user about all operating modes with the aid of symbols.
- The state of charge is represented, voltage and current is displayed on LCD.

System can be connected to two 12v deep cycle batteries (in series = 24v) for night timeuse. This will ensure that you have approx 1 ½ hours continues duty without sunlight.

