



HOT WATER CIRCULATION RANGE

JCR



HOT WATER

Circulation pump



Technical data

Single phase	
Continuous heavy duty rated	
Max. liquid temperature:	110°C
Noise:	<45dB
Insulation:	Class F
Protection class:	IP44

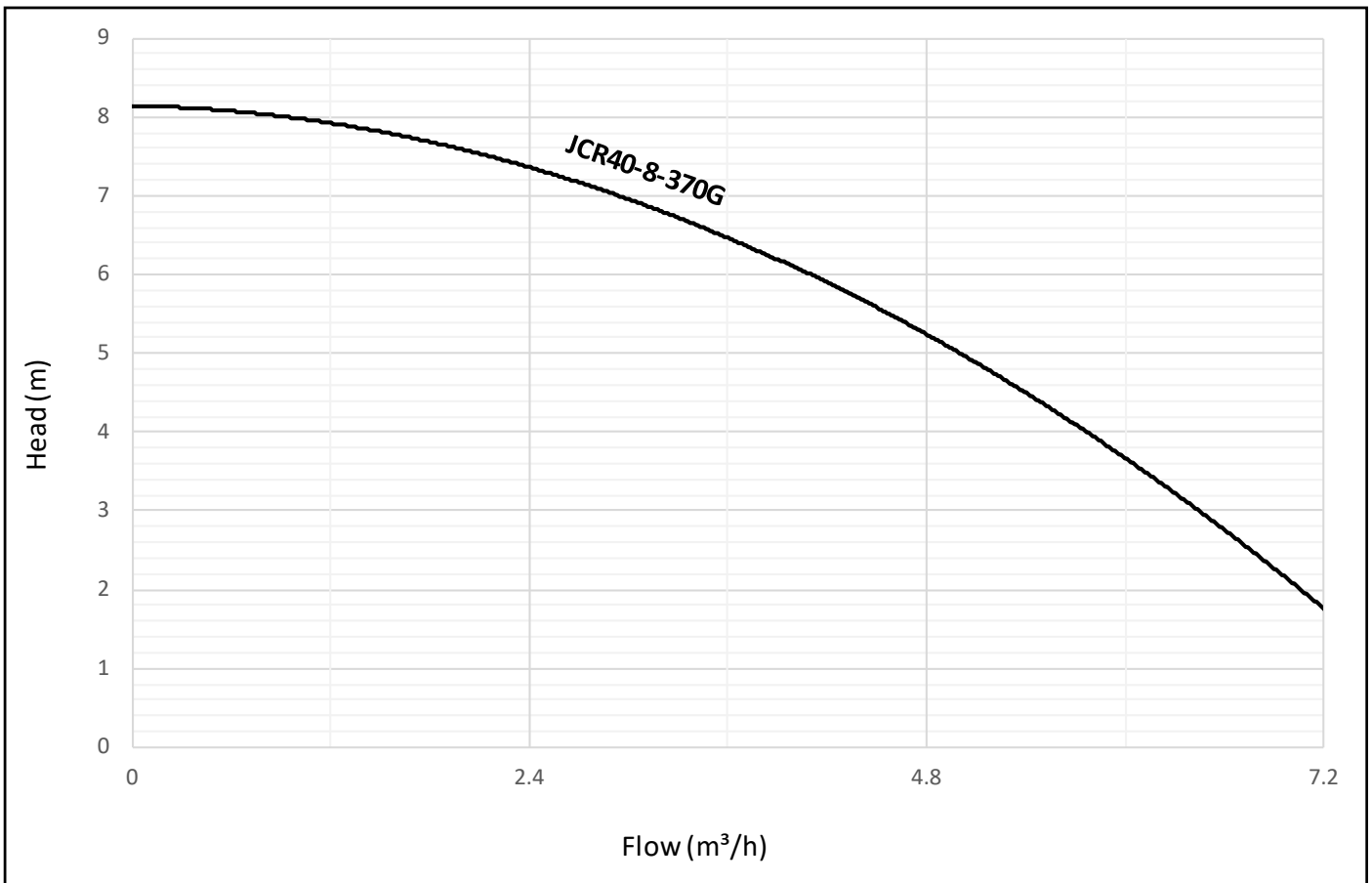
Construct

Pump body:	Cast Iron
Impeller:	PA66/Stainless Steel
Pump shell:	Aluminium
Motor wire:	100% Copper
Shaft:	Ceramic
Bearing:	Ceramic
Rotor:	Copper wire

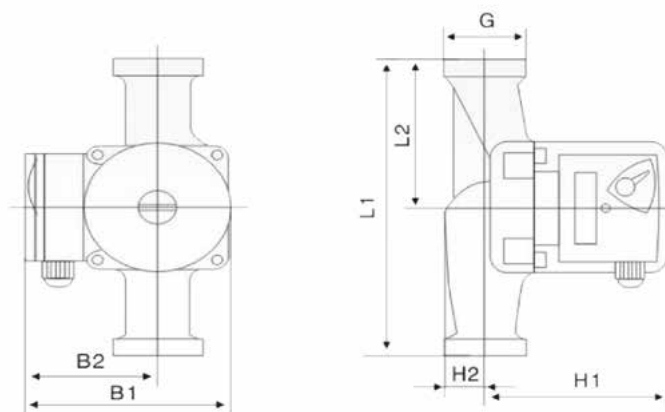
Unions are included with the purchase of this product.

Performance data

MODEL	INPUT POWER (W)	VOLTAGE (V/Hz)	INLET & OUTLET SIZE (mm)	SPEED (r/min)	MAX. FLOW (L/min)	MAX. HEAD (m)
JCR40-8-370G	370	220 /50Hz	40	2860	145	8



Dimensions



MODEL	G	L1	L2	H1	H2	B1	B2
	(inch)	(mm)	(mm)	(mm)	(mm)	(mm)	(mm)
JCR40-8-370G	1 1/2"	180	65	108	29	125	80