



# FOUNTAIN RANGE

HB & JHQ



# FOUNTAIN PUMP

## HB



### Application

These pumps can be used in water features, fountains, aquariums and ponds for circulation.

They are highly energy efficient and have a long service life.

### Performance range

Maximum head: 2.7m  
Maximum flow: 1500L/h  
Power: 13.5W TO 27W

### Operating limits

Maximum liquid temperature: 40°C  
Length of operating time: Continuous duty



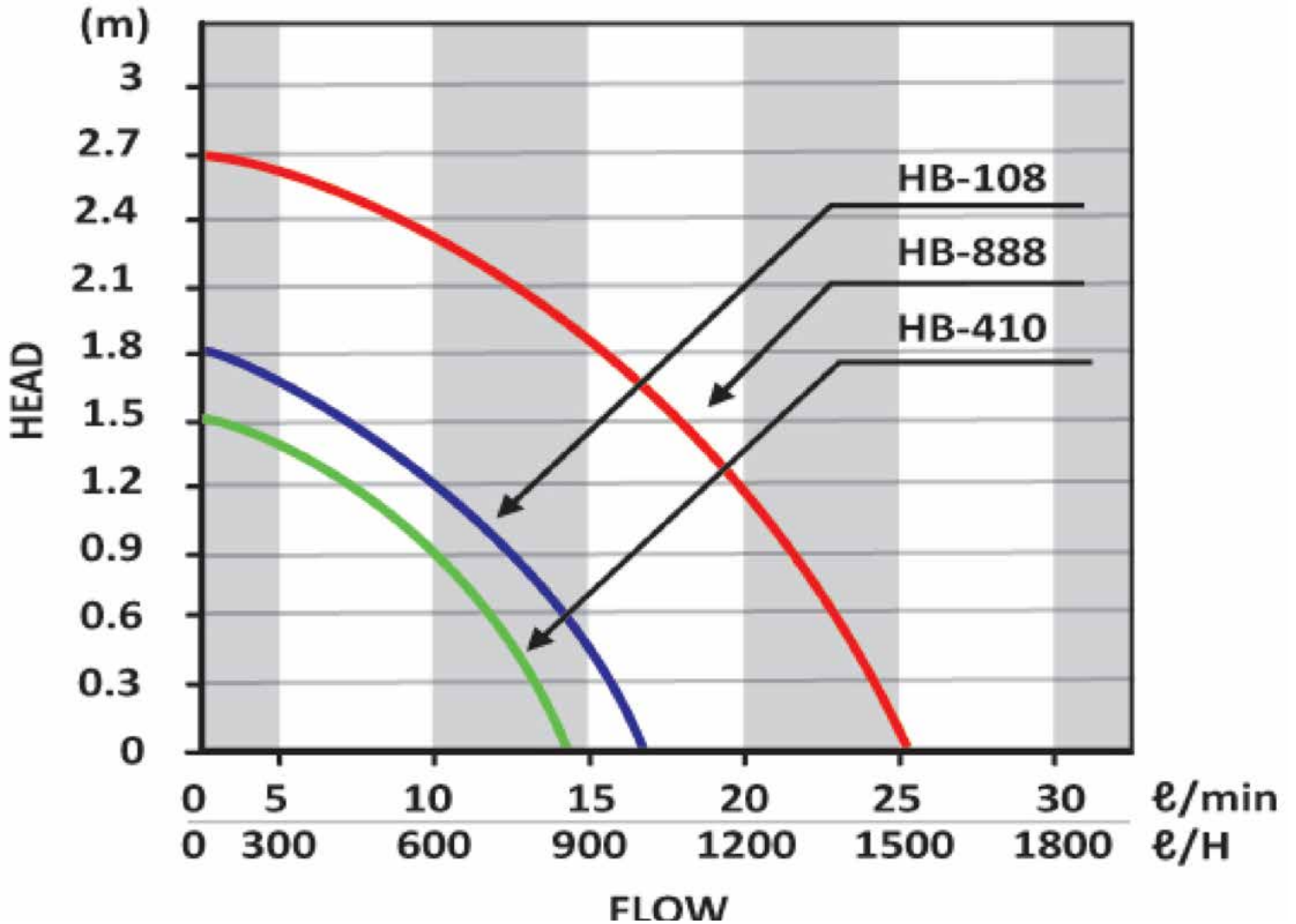
### Performance chart

MODEL	OUTPUT POWER (W)	MAX HEAD (M)	MAX FLOW (L/H)	CABLE LENGTH (M)	PLUG
HB-410	13.5	1.5	800	1.5	2 point
HB-888	16.5	1.8	1000	1.5	2 point
HB-108	27	2.6	1500	1.5	2 point



# PERFORMANCE

## Curve



# FOUNTAIN PUMP



## JHQ

### Application

These pumps can be used in water features, fountains, aquariums and ponds for circulation.

They are highly energy efficient and have a long service life.

### Performance range

Maximum head:	2.5m
Maximum flow:	2000L/h
Power:	55W



### Operating limits

Maximum liquid temperature:	40°C
Length of operating time:	Continuous duty

### Performance chart

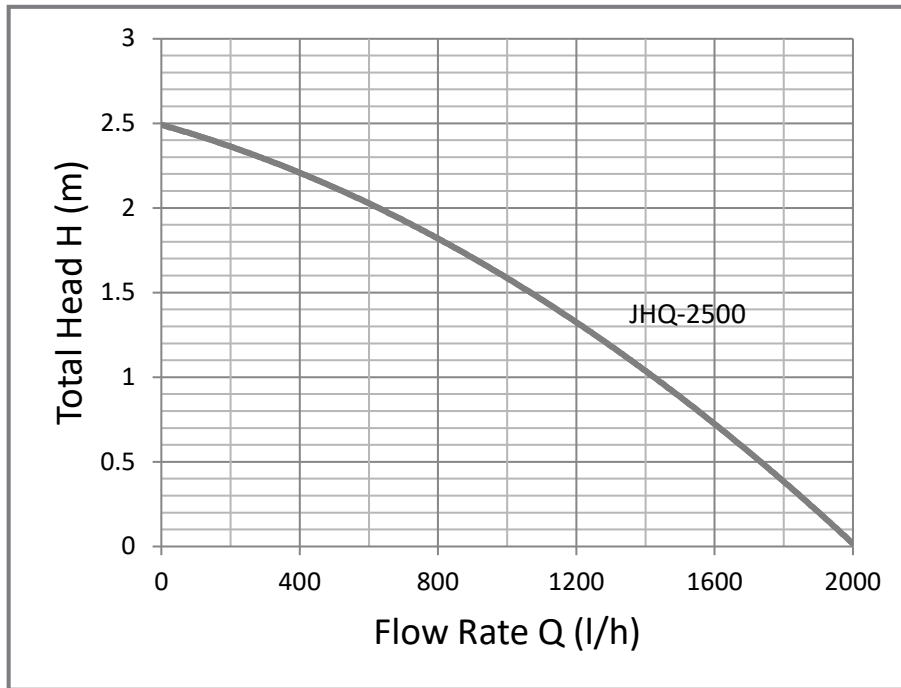
MODEL	OUTPUT POWER (W)	MAX HEAD (m)	MAX FLOW (l/h)	CABLE LENGTH (m)	plug	weight (kg)	dimensions l x w x h (mm)
JHQ-2500	55	2.5	2000	3	3 point	1.2	153x105x135

# PERFORMANCE

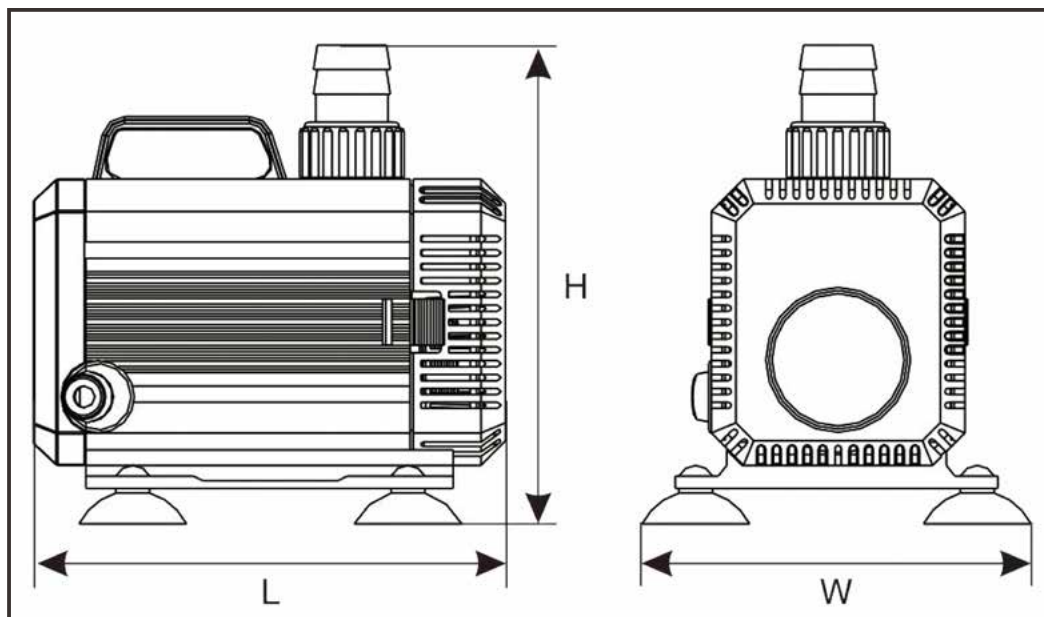
## Curve



### Performance curves



### Diagram



### Dimensions

MODEL	WEIGHT	L	W	H
JHQ-2500	1.2kg	153mm	105mm	135mm